

NUV102E

Engineering Sample

■Outline

LD Slot Module generates up to 1.2W by bundling 4 fibers coupled laser diodes. Slimly designed for compactness as well as easy replacement. This Module is expected for use as light source of the exposure devices / medical devices / biological detectors, etc.

■Features

- Long life
- Low electric power consumption
- Easy operation
- Compact
- High flexibility for designing light source(Custom output power/ arrangement are available.)

■Specifications

- Optical output power: 1.2W
- Wavelength: 400 ~ 410nm
- Power supply: DC24V (1A)
- Bundle-fiber: Outside diameter 305um (SI=114 /125, NA=0.2)
- Dimensions: 96 (W) x 180 (D) x 30 (H) mm
- Weights: 0.8kg

■Absolute Maximum Ratings

Item	Symbol	Absolute Maximum Ratings	Unit
Optical Output Power	Po	1.3	W
Operating Current	If	700	mA
Storage Temperature	Tstg	-10 ~ 60	°C
LD Operating Temperature	Tc	20±5	°C
Circumference temperature	Ta	Tc ± 10	°C
Humidity *	-	70	%RH

* No condensation

■Initial Electrical/Optical Characteristics

(Tc=20°C, Po=1.2W)

Item	Symbol	Min	Typ.	Max	Unit
Optical Output Power	Po	-	-	1.2	W
Peak Wavelength	λ	400	-	410	nm
Operating Current	If	-	410	500	mA

All figures in this specification are measured by Nichia's method and may contain measurement deviations.

**This model is Engineering Sample for evaluation or design purpose only. Life time is not guaranteed.
 The above specifications are for reference purpose only and subjected to change without prior notice.**

NICHIA CORPORATION

<http://www.nichia.co.jp>

HEAD OFFICE: P.O.BOX 6 ANAN, TOKUSHIMA-KEN 774-8601, JAPAN

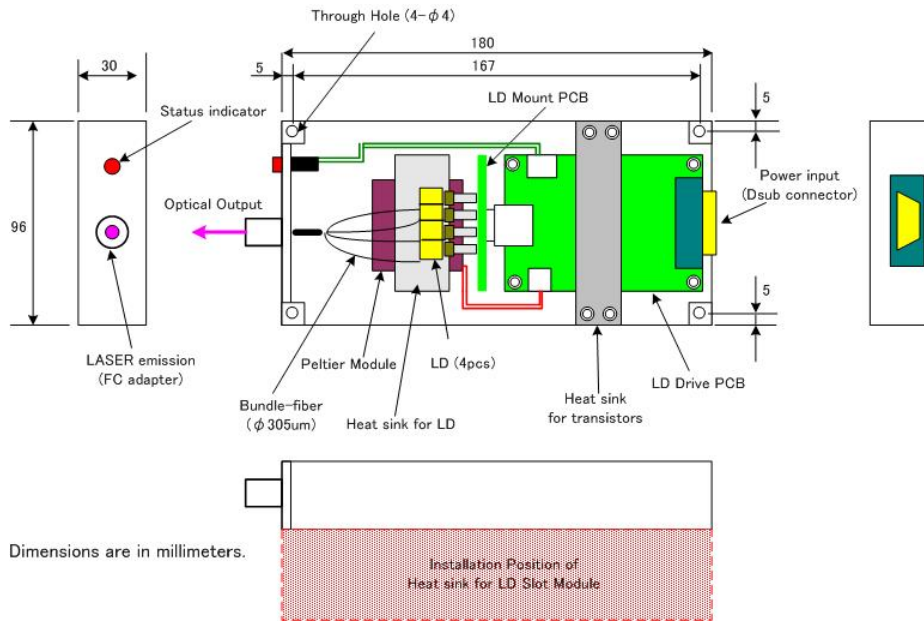
PHONE: +81-884-22-2311 FAX: +81-884-21-0148

● CONTACT

TOKYO SALES DEPARTMENT OPTOELECTRONICS PRODUCTS DIV.: 13F TAMACHI CENTER BUILDING, 34-7, SHIBA 5-CHOME, MINATO-KU, TOKYO 108-0014, JAPAN

PHONE: +81-3-3456-3108 FAX: +81-3-5440-7330

■ Outline Dimension



■ Cautions

(1) Safety of Laser light

- **Laser light can damage the human eye and skin.** Do not expose the eye or skin to any laser light directly or through any optical lens. When handling LD Slot Module, do not look directly at the light generated by it. **Wear appropriate safety glasses to prevent light from entering the eye by reflection off of another surface. The following specifications are required of the safety glasses.**
 - Wavelength : 300nm~500nm
 - OD (Optical Density) : > 4
 - Visible Light Transmission: > 20%
- Nichia LD Slot Module is classified in **Class 4 of IEC60825-1 and 21 CFR Part 1040.10 Safety Standards.** It is absolutely necessary to take overall safety measures against User's modules, equipment and systems into which Nichia LD Slot Module is incorporated and/or integrated.



(2) Operating method

- LD Slot Module is to change light output power due to the fluctuation in temperature etc. It has some tendency to gradually increase electric current necessary to keep the output power constant during its operation. When precise optical output control is required, it is recommended to use an external photo diode to monitor output power and use APC (Automatic Power Control) function in the operating circuit.
- Confirm that electrical spike current generated by switching on and off does not exceed the maximum operating current level specified herein above as absolute max rating. Also, employ appropriate countermeasures to reduce chattering and/or overshooting in the Circuit.

(3) Static Electricity

- Static electricity or electrical surges will reduce and degrade the reliability of the LD Slot Module. When working with the product, take countermeasures to avoid the generation of static electricity.

(4) Absolute Maximum Rating

- Active layer of LD Slot Module shall have high current density and generate high electric field during its operation. In order to prevent excessive damage, the LD Slot Module must be operated strictly below Absolute Max Rating.

(5) Others

- LD Slot Module described in this brochure is intended to be used for ordinary electronic equipment (such as printer, exposure devices, etc). Consult Nichia's sales staff in advance for information on the applications in which exceptional quality and reliability are required, particularly when the failure or malfunction of the LD Slot Module may directly jeopardize life or health (such as for airplanes, aerospace, submersible repeaters, nuclear reactor control systems, automobiles, traffic control equipment, life support systems and safety devices).
- Nichia prohibits Purchaser from reverse engineering, disassembling, or taking any other steps to derive the structure or design of the LD Slot Module.
- The appearance and specifications of the product may be modified for improvement without notice. The formal specifications must be exchanged and signed by both parties before large volume purchase begins.